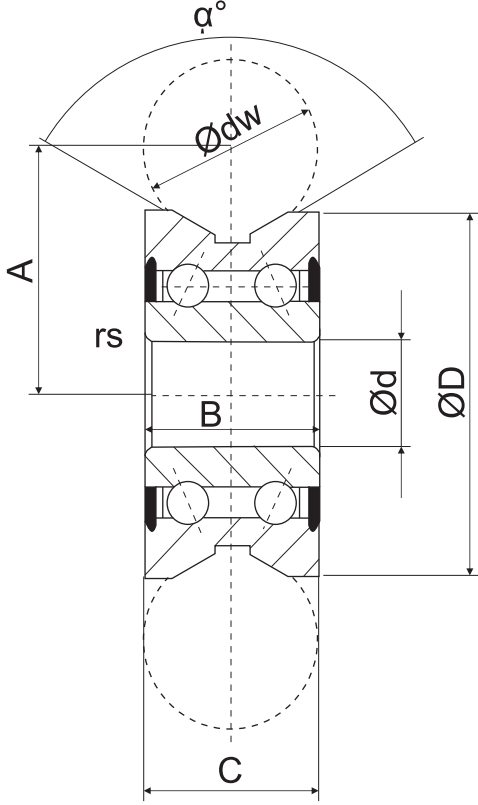


## LV



کد کتا	وزن g	dw	d	D	b	C	A	a	rs	Cw (KN)	Cow (KN)	قیمت	
												دلار	تومان
RV 20/7 ZZ	17	10	7	22	11	11	14.5	120	0.3	3.78	2.05		
RV 20/8 ZZ	49	10	8	30	14	14	18.1	120	0.3	5.13	2.67		
RV 202-38 ZZ	87	10	15	38	17	17	22.25	120	0.5	8.47	5.37		
RV 202-40 ZZ	110	10	15	40	18	18	22	120	0.5	8.47	5.37		
RV 201 ZZ	130	20	12	41	20	20	28	120	0.3	8.47	5.37		
RV 201-14-2RS	107	14	12	39.9	20.1	18	24	100	0.5	8.9	5		
RV 202-41 ZZ	116	20	15	41	20	20	28	120	0.5	8.47	5.37		
RV 203 ZZ	325	20	17	58	25	25	35	120	0.5	14.66	9.1		
RV 204-57 ZZ	290	30	20	57	22	22	41	120	0.6	14.66	9.1		
RV 204-58 ZZ	310	30	20	58	25	25	41	120	0.6	14.66	9.1		